



I/C[®] 3.5 HP

PRELIMINARY



Delivers

THE RIGHT POWER

WITH MAXIMUM FUEL EFFICIENCY



**Low fuel-consumption
Easy-Starting**

The small displacement engine with OHV design has the superior fuel and cooling efficiency. This allows for the correct power at low fuel consumption for your portable equipment.



Easy Maintenance

Tool-less access air-cleaner and oil-filling caps allow for easy maintenance.



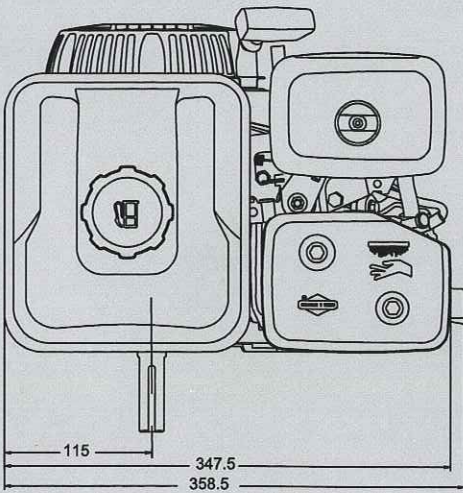
Quieter Operation

The low-tone muffler allows for quiet operation.

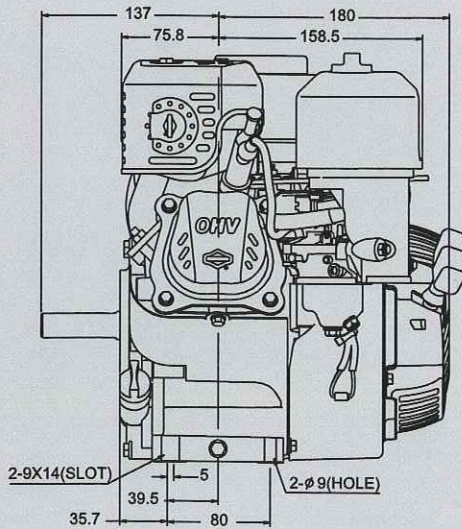


Durable

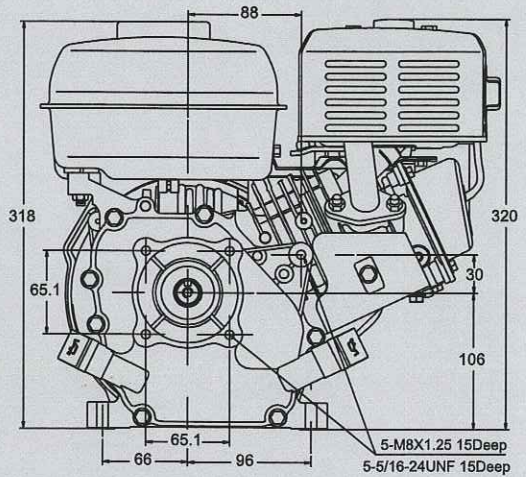
A set of commercial features are provided: cast iron sleeve, forged crankshaft, cast iron cam and chrome-plated rings help to improve its wear-resistance ability.



Top



Side



PTO

Model: 0831	Fuel Capacity: 2L
Displacement: 127cc	Oil Capacity: 0.6L
Stroke x Bore: 60x42mm	Net Weight: 11.2KG
Gross Power *: 3.5 HP @3600 rpm	Dimension (L×W×H): 367x254x383mm

* Horsepower data is rated per SAE J1940